

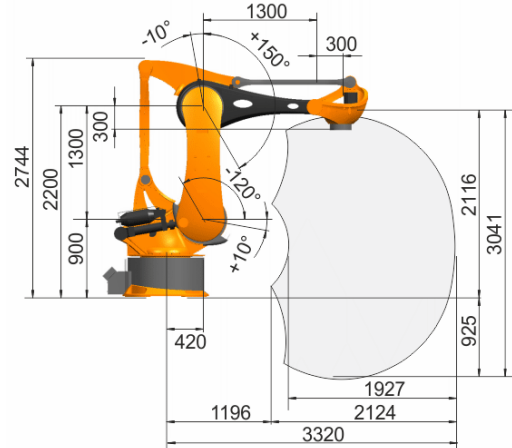


## KR 700 PA



### Workspace graphic

Dimensions: mm



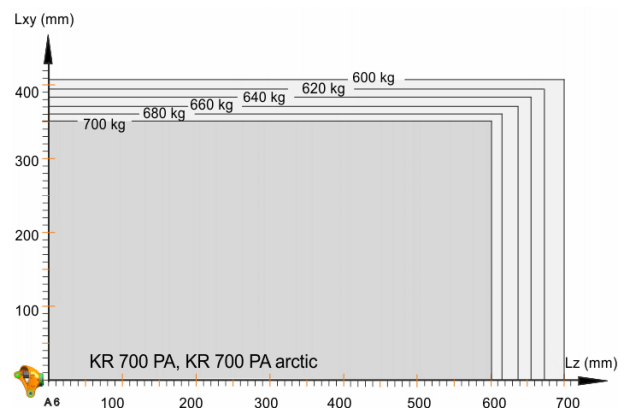
### Technical data

Maximum reach	3320 mm
Rated payload	700 kg
Rated supplementary load, rotating column / link arm / arm	0 kg / 0 kg / 50 kg
Rated total load	750 kg
Pose repeatability (ISO 9283)	± 0.08 mm
Number of axes	4
Mounting position	Floor
Footprint	-
Weight	approx. 2850 kg

### Axis data

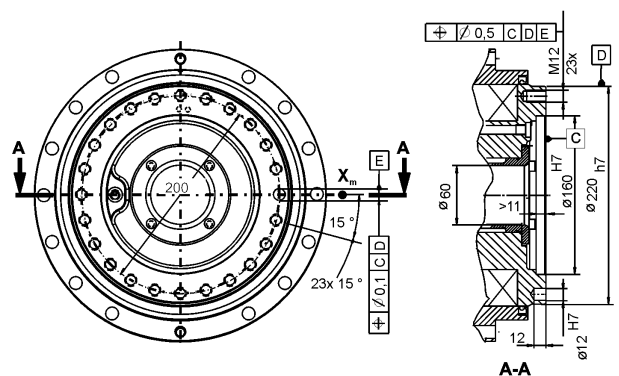
Motion range	
A1	±185 °
A2	-120 ° / 10 °
A3	-10 ° / 150 °
A4	-
A5	-
A6	±350 °
Speed with rated payload	
A1	76 °/s
A2	76 °/s
A3	67 °/s
A4	-
A5	-
A6	168 °/s

### Payload diagram



### Mounting flange

Maße / Dimensions: mm



### Operating conditions

Ambient temperature during operation: 0 °C to 55 °C (273 K to 328 K)

### Protection rating

Protection rating (IEC 60529)	IP65
Protection rating, robot wrist (IEC 60529)	IP65

### Controller

Controller	KR C4
------------	-------