



## KR 10 R900 HM-SC



### Technical data

Maximum reach	901.5 mm
Maximum payload	10 kg
Pose repeatability (ISO 9283)	± 0.03 mm
Number of axes	6
Mounting position	Floor; Ceiling; Wall;
	Desired angle
Footprint	320 mm x 320 mm
Weight	approx. 62 kg

### Axis data

Motion range	
A1	±166 °
A2	-188 ° / 45 °
A3	-115 ° / 144 °
A4	±185 °
A5	±110 °
A6	±350 °

### Operating conditions

Ambient temperature during operation	0 °C to 35 °C (273 K to 308 K)
--------------------------------------	--------------------------------

### Protection rating

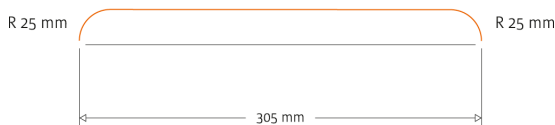
Protection rating (IEC 60529)	IP65 / IP67
Protection rating, robot wrist (IEC 60529)	IP65 / IP67

### Controller

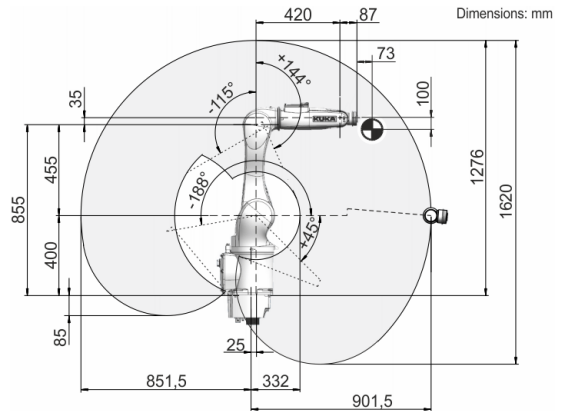
Controller	KR C5 micro; KR C4 compact
------------	-------------------------------

### Cycle time

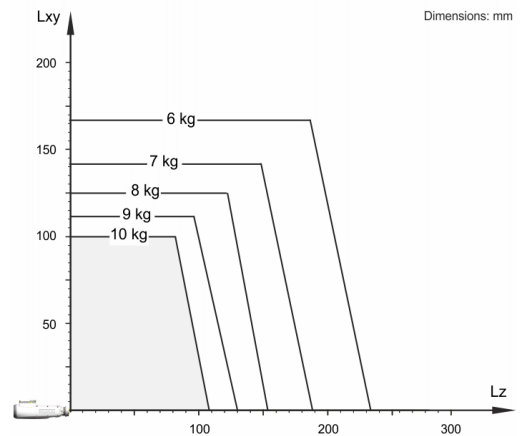
132 cycles per minute (25 mm / 305 mm / 25 mm, 1 kg)



### Workspace graphic



### Payload diagram



The KR 10 R900 HM-SC is designed for a rated payload of 5 kg in order to optimize the dynamic performance of the robot. The maximum payload of 10 kg applies only if the position of the center of mass is 0 mm and a supplementary load optimized for the load case is mounted. The specific load case must be verified using KUKA.Load or KUKA Compose. For further consultation, please contact KUKA Support.

### Mounting flange

