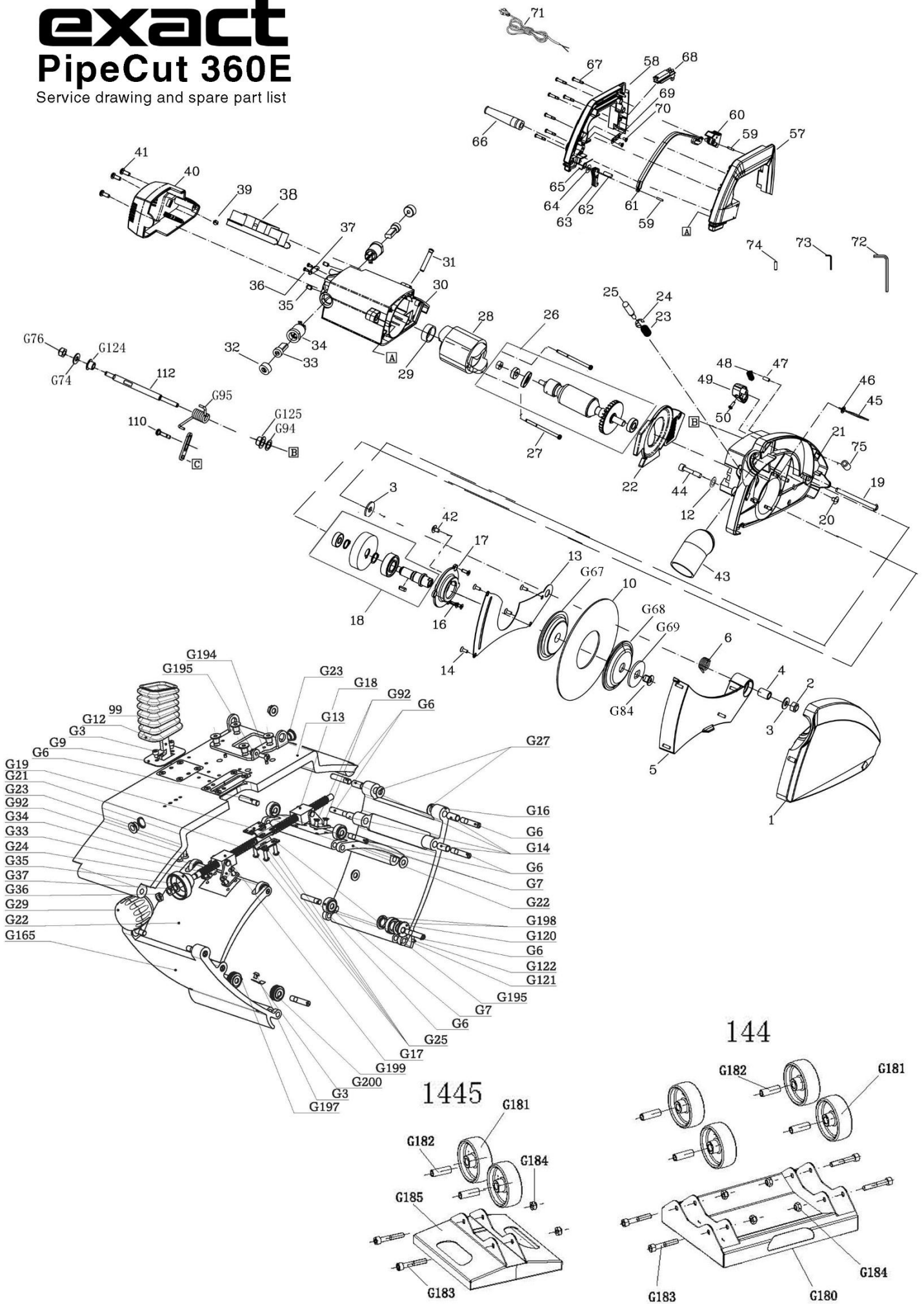


exact PipeCut 360E

Service drawing and spare part list



- G19
- G21
- G23
- G92
- G34
- G33
- G24
- G35
- G37
- G36
- G29
- G22
- G165

- G27
- G16
- G6
- G14
- G6
- G7
- G22
- G198
- G120
- G6
- G122
- G121

144

1445

Exact PipeCut 360E

Pos.	Part n:o	Description	Pcs/unit
1	101E310UExact	Blade guard top 280E	1
3	2501MBDN34	Washer 8.2X18-1.5	2
4	101E3125	Lower blade guard bushing	1
6	101E313E	Blade guard spring 280E	1
12	880391	Wave washer A6, 4 DIN 125	1
13	101E311B	Lower blade guard plate	1
14	260420VF	Lower blade guard screw M4 X 10	4
16	26042734	Secondary cog wheel screw M4 x 12	3
17+18	310X+310MP	Secondary cog wheel SA 280E	1
19	264731NV	Screw torx M5 x 60	5
20	26802TFY	Screw hex M5 x 6	1
21	101E310W	Gear box 280E	1
22	101E311F	Air deflector 280E	1
23	101E313K	Spindle lock spring	1
24	2570BBN208	Circlip 8	1
25	101E3169	Spindle lock 280E	1
26	801E314D	Armature 230V with bearing and fan EU	1
26	801E3161	Armature 110-120V with bearing and fan US-UK	1
27	2662MBDC62	Field screw	2
28	801E314E	Field coil 230V 280E-EU	1
28	801E3165	Field coil 100-120V 280E-US-UK-JP	1
29	101E35V0	Rubber bushing 280E	1
30	101E310Y	Motor bode plastic 280E	1
31	101E310D	Guidance light cylinder	1
32	83800242	Brush cover	2
33	83800233A1	Carbon brush SA 230V EU	2
33	83800232A1	Carbon brush SA 100-120V US-UK-JP	
34	83800222A1	Brush holder 230V, 100-120V US-UK-JP-AU	2
35	2603BBLA23	Hex. Soc.set screw	2
36	266MBCE01	Speed sensor screw	2
37	801E323T	Speed sensor 280E	1
38	101E314J	Electronic unit 230V 280E-EU	1
38	101E323F	Electronic unit 110-120V 280E-US-UK	
39	2852323N	Speed control switch	1
40	101E311J	End cup 280E	1
41	264631NQ	End cup screw	3
42	2637BBDA23	Cog wheel screw	1
43	101E311M	Vacuum connection	1
44	101E313F	Blade guard screw 280E	1
45	101E311U	Chip hatch 280E	1
46	25012QM7	Washer M5 DIN 125	1
47	2536MBE668	Spring pin	1
48	101E313N	Spring chip guide 280E	1
49	101E311C	Chip guide handle 280E	1
50	2660MBCE25	Chip guide screw 280E	4
57	11534-00	Handle right	1
58	11530-00	Handle left	1
59	10983-04	Locking lever pin 3x12, (2535MNCB07)	2
60	11538-01	Locking lever with yellow	1
61	11539-00	Draw bar	1
62	2535316G	Dowel pin PIN 6x18	1
63	101E316A	Lock hook 280E	1
64	25012TJ9	Shim washer 6/18 -0.5	1
65	101E313M	Lock hook spring 280E	1
66	10951-10	Protective cable sleeving	1
67	10986-03	Screw handle M4 x 20 280E	7
68	11797-00	Electric switch MARQUARDT	1
69	378975	Cable clamp	1
70	10986-00	Cable clamp screw	2
71	10949-01	Power cord 230V EU	1
71	28073342	Power cord 110V UK ROUND PLUG	1

Pos.	Part n:o	Description	Pcs/unit
71	2807318H	Power cord 120V US	1
72	725927	Allen key M5	1
73	11121-00	Allen key M2	1
74	2536MBE663	Spring pin	1
75	101E311Q	Blade guard top bumper	1
99	101E311W	Protection bellows 280E	1
108	101E311E	Stopper 280E	1
109	2536MBE623	Spring pin	1
110	2677BBDA53	Screw 6/M5-10 ISO 7379	1
112	101E3124	Main shaft	1
G3	590872-09	Screw M5x8 ISO 7380	4
G6	11177-00	Special screw M8x40	16
G7	11143-00	Bearing SA	4
G12	11862-01	Counter peg PC360E	1
G13	11864-00	Body profile PC360E	1
G14	11176-00	Sliding bearing (GSM-0810-20)	8
G16	11902-00	Turning profile right PC360	1
G19	10910-30	Attachment block (plate)	1
G22	11147-00	Pulling profile PC360	2
G23	10916-00	Screw support sleeve	2
G24	11897-00	Trapeze screw lock yellow	1
G25	590872-20	Cap head screw M5x16 ISO 7380	4
G26	911258	Spring pin (Rolled pin)	1
G27	11175-00	Washer GTM-0818-010 DIN 7979	8
G29	10913-10	Knob KIPP ST	1
G33	11454-00	Pulling profile bracket R	2
G34	11455-00	Pulling profile bracket L	2
G35	10980-02	Spring washer 8,4/18/1 BN 802	2
G36	10985-02	Hex nut M8 DIN439B	1
G37	725886	Hex nut M8 DIN985	1
G67	11543-00	Blade flange	1
G68	11542-00	Attachment flange 80mm	1
G69	10944-01	Pulling flange washer	1
G74	11883-00	Washer 8,2x18	2
G76	11882-00	Hex nut M8x1,25	2
G84	10987-01	Blade Screw M10x10 BN 1206	1
G9	10905-00	Bellows base plate	1
G92	10080-07	Screw M5x16 DIN 7991	10
G94	11884-00	Space washer 12x18 PC360E	1
G95	101E313L	Lifting spring 280E	1
G120	11129-55	Eccenter PC360E	1
G121	11130-50	Wheel for eccenter PC360E	1
G122	11570-00	Socket set screw M4X6 AISI 316	1
G124	101E310M	Flange bearing	1
G125	101E310R	Flange bearing GFM-1214-09	1
G141	101E310V	Lower blade guard	1
G142	11877-00	Gearcase cover Exact 360E	1
G144	11188-10	Pipe Support 360 double	1
G1445	11191-10	Pipe Support 360 single	2
G145	10973-11	PipeCut Bag 3	1
G165	11438-00	Turning profile LEFT PC360E	1
G194	590872-01	screw m6x16 black	1
G195	744628	Nut, protective M6 DIN 985	1
G196	10910-35	Attachment block - top (plate)	1
G197	11891-50	Whell 24,7 SA	1
G198	11889-00	Sliding bearing GFM-1416-04	4
G199	11891-00	Wheel 24mm SA (incl.11890-00,11141-00)	1
G200	10994-05	Spring plate	2
G21b	11665-00	Trapeze 360,360E and nuts 17,18	1