

Pivot Angle 200 | P/N: 8100367

Summary

The Magswitch Pivot Angle offers a range of angles from 28 to 270 degrees. Each arm features a Magswitch with a 200 lb (90kg) hold capacity. A single pivot point is located on the elbow. The elbow joint locks and unlocks quickly with a lever. The dial on the elbow features indicators every 9 degrees. On each axis a Magswitch is exposed on a side to enable the tool to secure to a table or wall, while simultaneously holding the work piece. Perfect for repetitive work on uncommon angles.



Specifications

WARNING!
Do Not Operate Unless In
Contact With Ferrous Target

Maximum Breakaway Force ^{1,2}	215 lbs / 98 kg
Maximum Shear ^{1,2}	48 lbs / 22 kg
Full Saturation Thickness	3/16" / 4.75mm
Overall Length	9.1" / 230.0mm
Overall Width	3.9" / 97.9mm
Overall Height (Max)	6.4" / 163.5mm
Net Weight	1.8 lbs / 0.8 kg
	2.2" x 1.6"
Magnetic Pole Footprint	56.0mm x 41.3mm

Material Thickness	0.476	0.873	0.953	1.429	1.984	2.381	3.175	3.572	6.350	9.525
- mm (in)	(0.019)	(0.034)	(0.038)	(0.056)	(0.078)	(0.094)	(0.125)	(0.141)	(0.250)	(0.375)
Maximum Force	5.3	14.7	18.0	33.4	43.1	45.5	68.0	82.9	89.5	86.8
- kg (lbs)	(12)	(32)	(40)	(74)	(95)	(100)	(150)	(183)	(197)	(191)

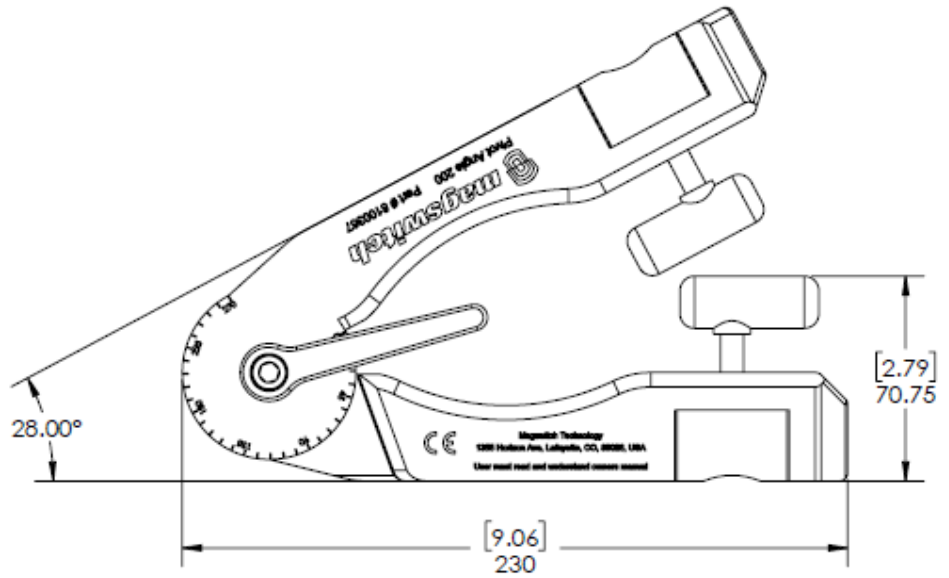
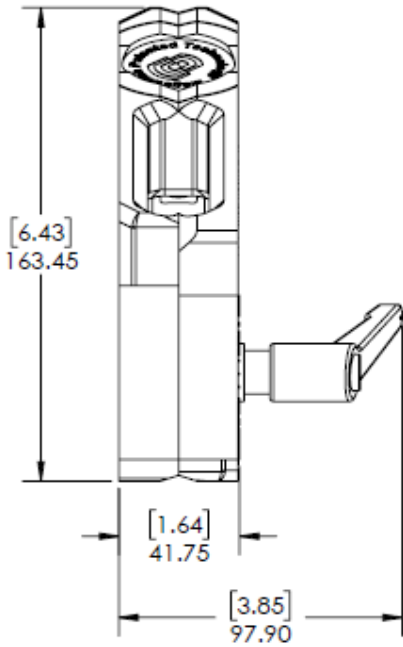
¹ Determined in laboratory environment on 2" thick SAE1018 Steel with surface roughness 63 micro inches with optimized pole shoes. Many factors contribute to the actual breakaway force and safe working load in each application. Consult a Magswitch Applications Engineer and test the Magswitch in each application before deployment.

² All data applies to unit with flat pole shoes installed.

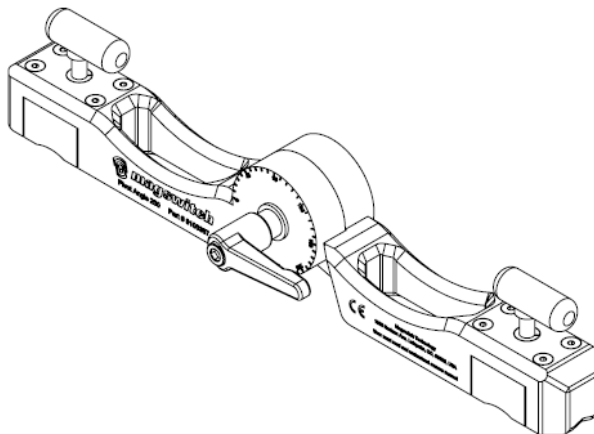
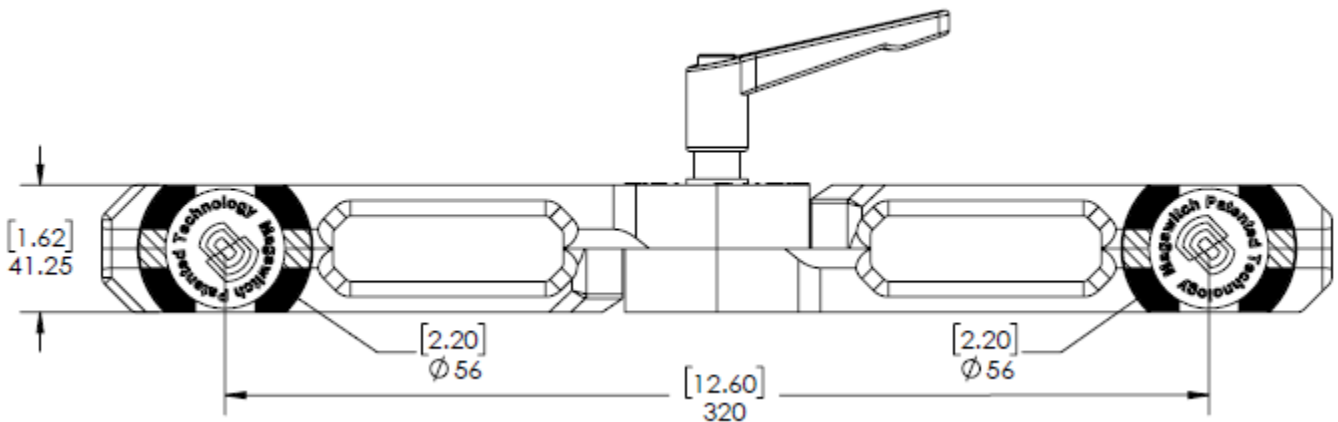
³ Determined with SAE1018 Steel L=200mm W=200mm.

⁴ Values may vary by +/- 5%.

⁵ Maximum forces listed above are not safe lifting forces. Designer must take into account safety factor when specifying tool. Magswitch recommends SWL = 5:1 for most applications.



Handle will not be installed, will ship inside the space between the arms



WORKING SURFACE
BLACK=BEST HATCHED=MODERATE